



LIGHT WEIGHT **POWER TILLER**

BLITZ 50



ENGINE VARIANTS

DIESEL

THROQ 4.7 HP & 6.5 HP

LOMBARDINI 5.4 HP

PETROL

HONDA 5 HP

OUTSTANDING FEATURES

NARRROW WHEEL BASE OF ONLY 16 IN.(41 CMS)

LIGHT WEIGHT ROBUST ALUMINUM GEAR BOX HOUSING

“ POWER TAKE OFF ” (PTO) FOR QUICK COUPLE OF IMPLEMENTS

VERY USEFUL FOR

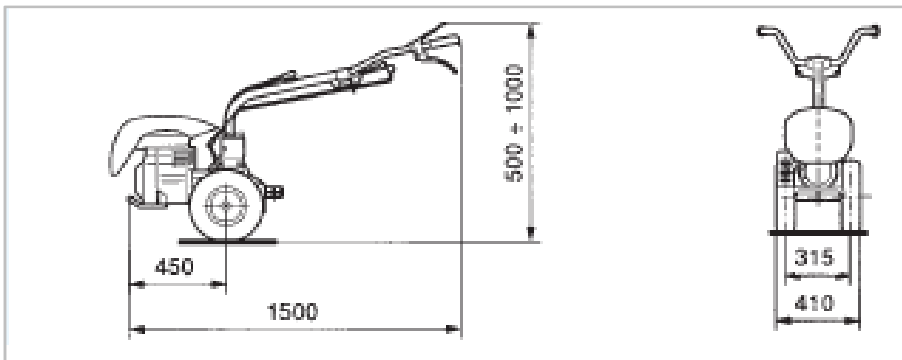
INTER CULTURE OPERATIONS BETWEEN ROW CROPS

SMALL FARM LANDS

VEGETABLE CULTIVATION

FARMING IN HILLY AREAS

SPECIFICATION	BLITZ 50
Engine	Diesel / Petrol - 4.5 – 6.5 HP
Clutch	Cone Oil filled
Gearbox	Aluminum housing – Oil filled
Normal Speed-kph	1.55 ; Rev 2.72
PTO –Normal Version	310 Rpm
PTO –Reversing Version	925 Rpm
Tyres	3.50 – 6
Handlebars	Height/Off-set adjustable and 180 Tilting
Safety	Complying with International standards
Weight (Kgs.)	55 kg



Gearbox with aluminum housing and quick coupling for implements



Instruments Panel with centralized controls; convenient handlebars for quick maneuvers

ATTACHMENTS

PLUGHING



SPRAY PUMP



GRASS CUTTER



PRODUCED BY

YAGMUR TARIM MAKINALARI San. ve Tic A.S
Beymersan Sanayi Sitesi 2. Cadde No.17
TURKEY

INDIAN PARTNERS



Agro - Commercial

8A , Camac Court, 25 B, Camac Street, Kolkata – 700016

Ph : +33-22874206 ; Fax : +33-22867304, email: info@agrocom.in , Web : www.agrocom.in